

MOEN®

SPECIFICATIONS

DESCRIPTION

- Metal construction with various finishes identified by suffix
- Pressure balancing cycle valve design with an adjustable temperature limit stop
- 1/2" IPS/CC connections

• Includes valve, tub spout, showerhead, arm, flange, handle and escutcheon

OPERATION

- Lever style handle
- Handle operates counterclockwise through a 270° arc with off at 6 o'clock and maximum hot at the 9 o'clock position, shut off in clockwise direction
- Adjustable temperature limit stop to control maximum hot water temperature
- Pressure balancing mechanism maintains selected discharge temperature to ± 2°


FLOW

- Showerhead is limited to 1.75 gpm (6.6 L/min)

CARTRIDGE

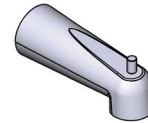
- 1222 cartridge design
- Nonmetallic/nonferrous and stainless steel materials
- Accommodates back to back installations

STANDARDS

- Third party certified to ASME A112.18.1/CSA B-125.1 and all applicable requirements referenced therein
- **ADA**  for lever handle
- Meets WaterSense® criteria
- Meets New York City Local Law No. 57
- Products marked with 1.75 gpm are compliant with WaterSense®, and California water efficiency regulations

WARRANTY

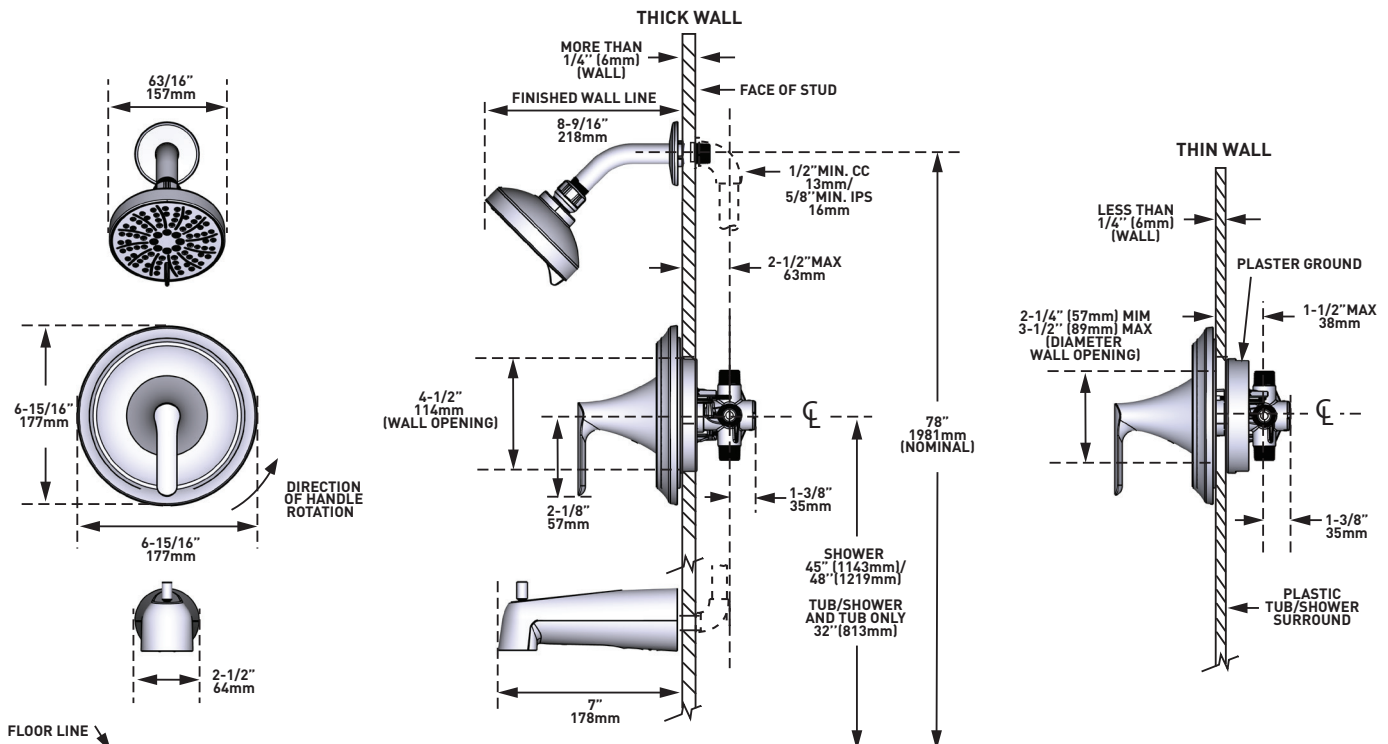
- finish defects to the original homeowner
 - 10 year limited warranty when used in a multifamily installation
 - 5 year limited warranty when used in a commercial installation
- Visit www.moen.com/support for complete details and limitations



FINDLAY™ POSI-TEMP®

Single-Handle Tub/Shower Faucet

MODELS: 82518 Series



CRITICAL DIMENSIONS DO NOT SCALE